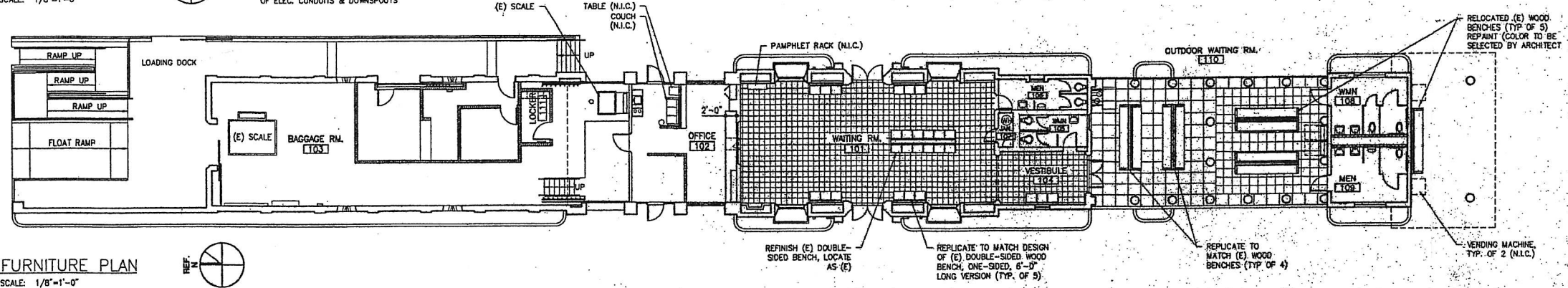


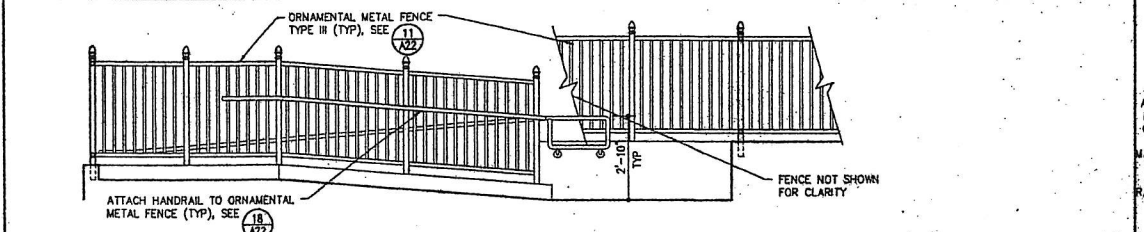
FLOOR PLAN
SCALE: 1/8"=1'-0"



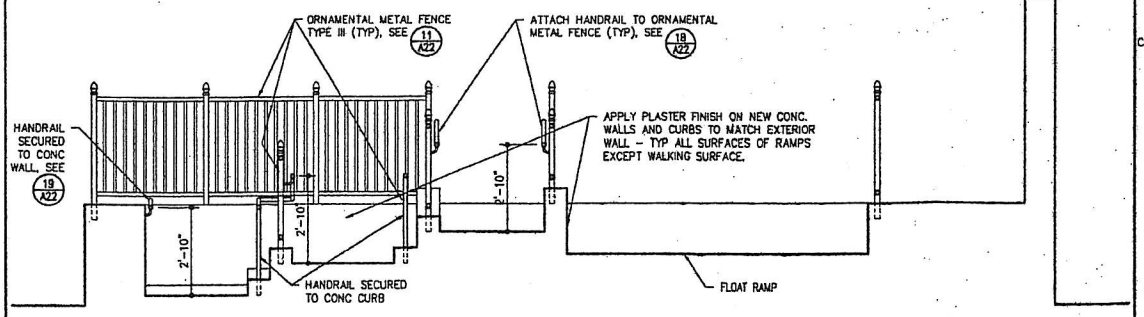
FURNITURE PLAN
SCALE: 1/8"=1'-0"

WALL LEGEND

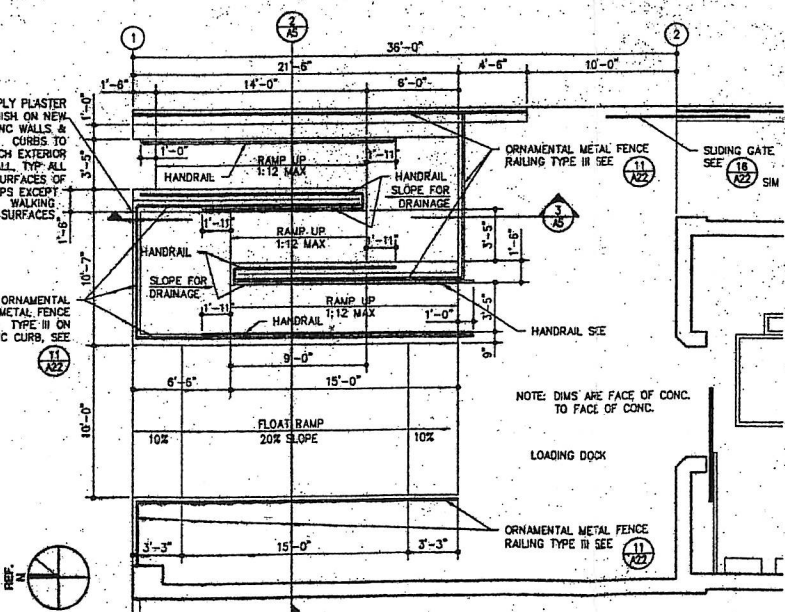
	EXISTING WALL
	NEW WOOD STUD WALL
	5'-6" HIGH PARTITION



CROSS SECTION THRU HC RAMP
SCALE: 1/2"=1'-0"



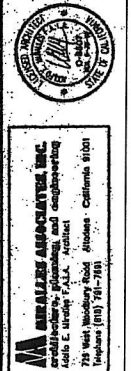
CROSS SECTION THRU HC & FLOAT RAMPS
SCALE: 1/2"=1'-0"



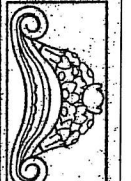
ENLARGED RAMP PLAN
SCALE: 1/4"=1'-0"

REVISIONS

NO.	DESCRIPTION
1	PLAN CHECK
2	REVISED
3	REVISED



ENGINEERING SECTION
CITY OF GLENDALE
GLENDALE TRANSPORTATION CENTER



DEPOT FLOOR PLANS

Date: 8-8-97
 Scale: AS NOTED
 Drawn: JA
 Job: 9338708
 Sheet: 35/44
A5
 of 4 sheets

A/E PROJECT NO.:
 DRAWN BY:
 CHECKED BY:
 SCALE:
 SUBJECT:
 SHT REF: DATE:
 PAGE: